

AIRTREND Ltd
Predstavništvo u Beogradu
Kumanovska 14, 11000 Beograd
Tel: 011/3836886, 3085740
Faks: 011/3444113
e-mail: gobrid@eunet.rs
web: www.airtrend.rs



AIR DIFFUSION

HyFlex-Geko

HyFlex-Geko

» INNOVATIVE AND FLEXIBLE FAN COIL UNIT



Whoever treats air must master it

LEADING THE WAY IN AIR TECHNOLOGY

As an international leader in Air Technology solutions, FläktGroup's mission is to concentrate on developing technology and components to deliver excellent indoor Air Comfort in diverse final markets. FläktGroup combines all activities in the area of heat exchanging and air treatment systems to offer one of the world-wide largest product range in this field. What makes us unique and a preferred partner, is a perfect fit, reliable and sustainable solutions – FläktGroup fan coils are a clear testament to our quality and innovation capability.

DECENTRALISED AIR DIFFUSION WITH HIGH COMFORT AND EFFICIENCY

Where heating, cooling, filtering, humidification and dehumidification of air is required, FläktGroup makes its contribution to progress. Customised climate control and air treatment, with the maximum-possible reduction of energy consumption over the entire life cycle of the facilities: in providing attractive properties, in comfort, and in work productivity.

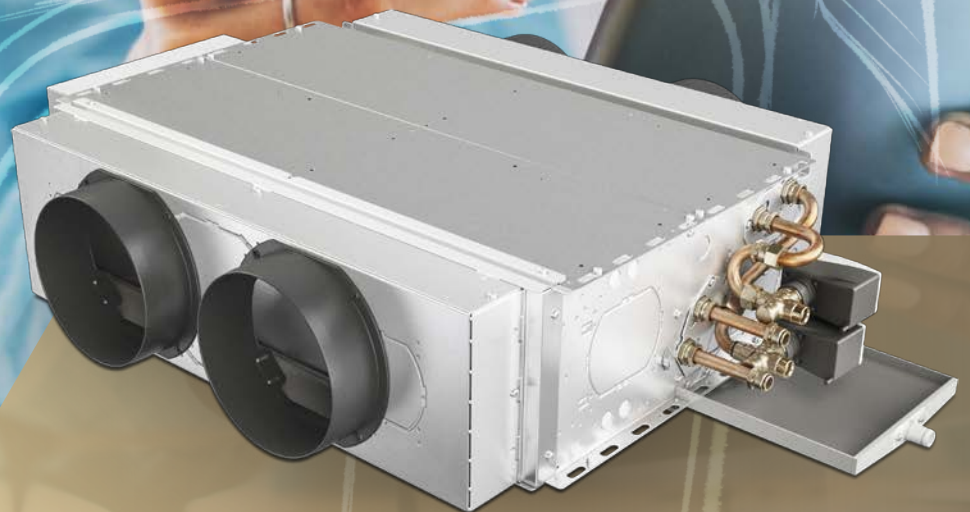
RAPID AND EFFICIENT HEATING, COOLING AND VENTILATION IN ONE UNIT

Unlike radiators and classical flat radiators, fan-coil units not only can heat rooms, but can also cool and ventilate them. FläktGroup fan-coil units offer all possibilities of a Demand Controlled Ventilation (DCV) and can be employed everywhere where comfortable warmth, cooling or air ventilation with a rapid adaptation is required.

FläktGroup fan-coil units actively guide the air to be processed through the heat exchanger, whereby it is heated and cooled effectively. They bring the room air to the desired temperature faster, and operate with smaller heating or cooling surfaces. Their enhanced heat transfer enables lower feed temperatures during heating, and higher feed temperatures during cooling. This minimises losses and saves energy between the boiler or the chiller and the final unit.

YOUR PARTNER FOR AIR TREATMENT

- More than 40 years of experience
- Customised air quality and a healthy, comfortable indoor climate with extremely low-noise operation and maximum energy efficiency
- State-of-the-art technology while compliant with current legal directives
- Certified quality
- Simple system integration
- Low maintenance costs



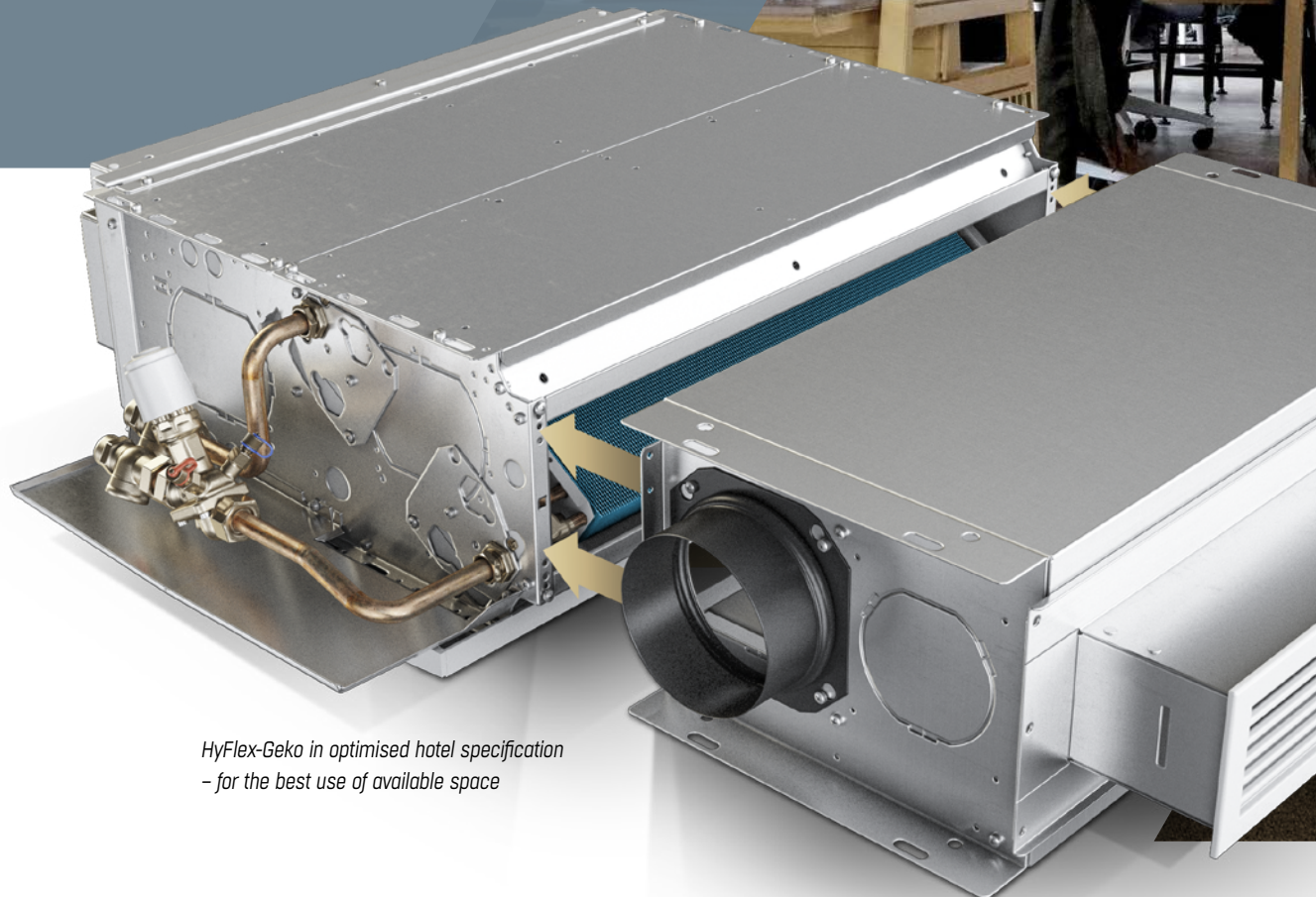
HEATING & COOLING

The HyFlex-Geko fan coil units ensure a whisper-quiet and comfortable feelgood climate at maximum energy efficiency, hygiene level and optimal room air temperature distribution.

Introducing the new HyFlex-Geko

With the new HyFlex-Geko that is part of our innovative fan coil family, we have created a new level of flexibility and performance. What was previously classified as great now defines a new high. HyFlex-Geko definitely lives up to its name. High flexibility, high performance, hygiene, high-speed selection, high-speed installation and high-speed maintenance is in every detail based on high customer orientation.

The “plug and play” units are easy to install. Demand-driven heating and cooling and a very low sound power level facilitate the optimal room temperature and comfort. The HyFlex-Geko is very easy to clean and disinfect and finally comes with comprehensive documentation and design details for evaluation.



*HyFlex-Geko in optimised hotel specification
– for the best use of available space*



TAKING OUR FAN COIL RANGE TO NEW HY'S

FLEXIBILITY

SELECTION SPEED

INSTALLATION SPEED

MAINTENANCE EASE

PERFORMANCE

HYGIENE LEVELS

Highly variable solution for different applications



Due to the modular, flexible and hygienic concept, HyFlex-Geko can be used for many different applications. They heat, cool and ventilate offices, sales rooms and medical institutions. Hotels and HyFlex-Geko is an excellent match because of its reliable and extremely quiet operation. With their economical operation, fast and easy selection, installation and maintenance as well as different usage options, the HyFlex-Geko fan-coil units set the new benchmark for flexible, high performance, hygienic and energy efficient climate solutions.

> **Hygiene and Comfort**
– one solution for a wide range of applications



HyFlex-Geko is suitable both for wall and ceiling mounting. They can be mounted virtually invisibly as base units with the required air outlets behind a wall or above a suspended ceiling.



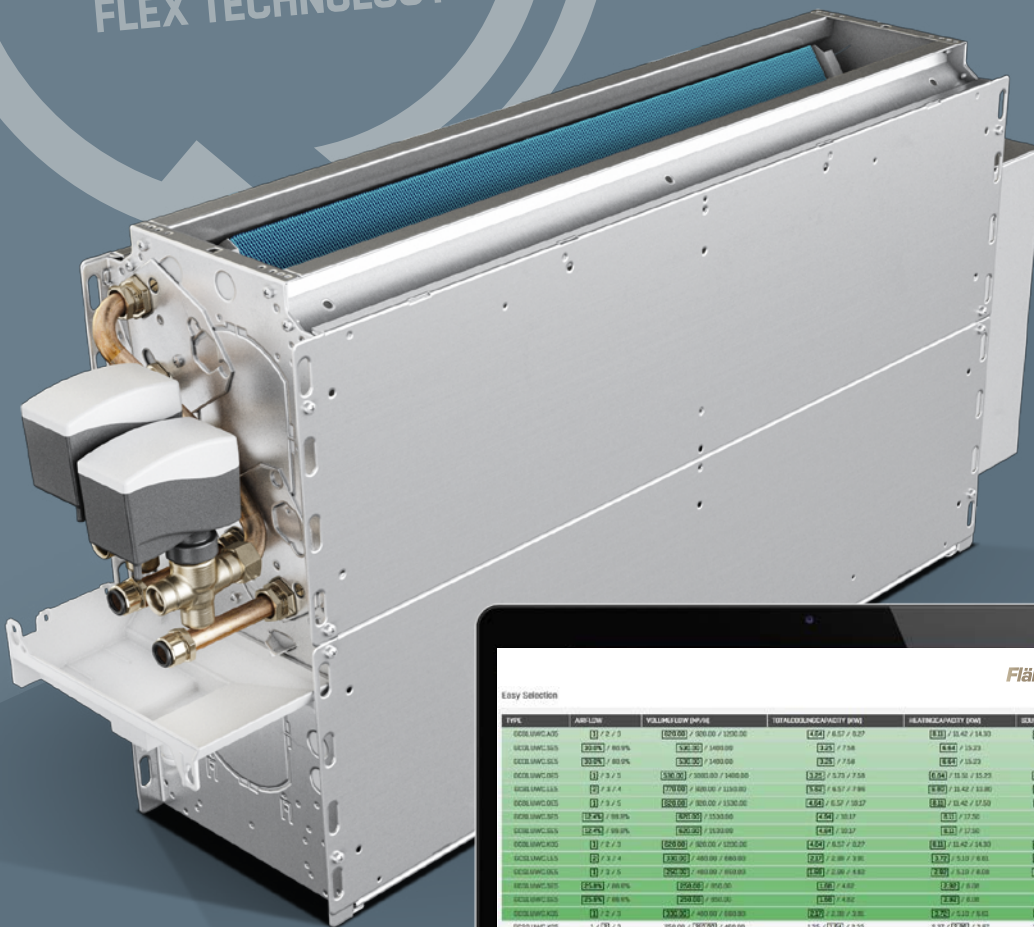
HyFlex-Geko is an ideal solution for

- Hotels
- Offices
- Hospitals
- Medical institutions
- Showrooms and shops
- Restaurants and cafés



NO MATTER WHICH SIDE OR ORIENTATION – YOU CAN ALWAYS MAKE HyFlex-Geko FIT

With the 360° Flex Technology it is easy to change the connection side by simply turning the device. Similarly, with a simple conversion it is possible to modify a wall unit to fit a ceiling assembly and of course vice versa. The HyFlex-Geko can be attached to a variety of devices and offers a multitude of accessories, which can be used to meet any requirement of the different applications.



TYPE	AIR FLOW	VOLUME FLOW (m³/h)	TOTAL SOUND CAPACITY (dB(A))	HEAT CAPACITY (kW)	SOUND POWER (dB(A))
DCBLHMC40S	1 / 2 / 3	1500 / 3000 / 4500	1.5 / 3.0 / 4.5	1.5 / 3.0 / 4.5	45 / 55 / 65
DCBLHMC45S	1 / 2 / 3	1800 / 3600 / 5400	1.8 / 3.6 / 5.4	1.8 / 3.6 / 5.4	50 / 60 / 70
DCBLHMC50S	1 / 2 / 3	2100 / 4200 / 6300	2.1 / 4.2 / 6.3	2.1 / 4.2 / 6.3	55 / 65 / 75
DCBLHMC55S	1 / 2 / 3	2400 / 4800 / 7200	2.4 / 4.8 / 7.2	2.4 / 4.8 / 7.2	60 / 70 / 80
DCBLHMC60S	1 / 2 / 3	2700 / 5400 / 8100	2.7 / 5.4 / 8.1	2.7 / 5.4 / 8.1	65 / 75 / 85
DCBLHMC65S	1 / 2 / 3	3000 / 6000 / 9000	3.0 / 6.0 / 9.0	3.0 / 6.0 / 9.0	70 / 80 / 90
DCBLHMC70S	1 / 2 / 3	3300 / 6600 / 9900	3.3 / 6.6 / 9.9	3.3 / 6.6 / 9.9	75 / 85 / 95
DCBLHMC75S	1 / 2 / 3	3600 / 7200 / 10800	3.6 / 7.2 / 10.8	3.6 / 7.2 / 10.8	80 / 90 / 100
DCBLHMC80S	1 / 2 / 3	3900 / 7800 / 11700	3.9 / 7.8 / 11.7	3.9 / 7.8 / 11.7	85 / 95 / 105
DCBLHMC85S	1 / 2 / 3	4200 / 8400 / 12600	4.2 / 8.4 / 12.6	4.2 / 8.4 / 12.6	90 / 100 / 110
DCBLHMC90S	1 / 2 / 3	4500 / 9000 / 13500	4.5 / 9.0 / 13.5	4.5 / 9.0 / 13.5	95 / 105 / 115
DCBLHMC95S	1 / 2 / 3	4800 / 9600 / 14400	4.8 / 9.6 / 14.4	4.8 / 9.6 / 14.4	100 / 110 / 120
DCBLHMC100S	1 / 2 / 3	5100 / 10200 / 15300	5.1 / 10.2 / 15.3	5.1 / 10.2 / 15.3	105 / 115 / 125
DCBLHMC105S	1 / 2 / 3	5400 / 10800 / 16200	5.4 / 10.8 / 16.2	5.4 / 10.8 / 16.2	110 / 120 / 130
DCBLHMC110S	1 / 2 / 3	5700 / 11400 / 17100	5.7 / 11.4 / 17.1	5.7 / 11.4 / 17.1	115 / 125 / 135
DCBLHMC115S	1 / 2 / 3	6000 / 12000 / 18000	6.0 / 12.0 / 18.0	6.0 / 12.0 / 18.0	120 / 130 / 140
DCBLHMC120S	1 / 2 / 3	6300 / 12600 / 18900	6.3 / 12.6 / 18.9	6.3 / 12.6 / 18.9	125 / 135 / 145
DCBLHMC125S	1 / 2 / 3	6600 / 13200 / 19800	6.6 / 13.2 / 19.8	6.6 / 13.2 / 19.8	130 / 140 / 150
DCBLHMC130S	1 / 2 / 3	6900 / 13800 / 20700	6.9 / 13.8 / 20.7	6.9 / 13.8 / 20.7	135 / 145 / 155
DCBLHMC135S	1 / 2 / 3	7200 / 14400 / 21600	7.2 / 14.4 / 21.6	7.2 / 14.4 / 21.6	140 / 150 / 160
DCBLHMC140S	1 / 2 / 3	7500 / 15000 / 22500	7.5 / 15.0 / 22.5	7.5 / 15.0 / 22.5	145 / 155 / 165
DCBLHMC145S	1 / 2 / 3	7800 / 15600 / 23400	7.8 / 15.6 / 23.4	7.8 / 15.6 / 23.4	150 / 160 / 170
DCBLHMC150S	1 / 2 / 3	8100 / 16200 / 24300	8.1 / 16.2 / 24.3	8.1 / 16.2 / 24.3	155 / 165 / 175
DCBLHMC155S	1 / 2 / 3	8400 / 16800 / 25200	8.4 / 16.8 / 25.2	8.4 / 16.8 / 25.2	160 / 170 / 180
DCBLHMC160S	1 / 2 / 3	8700 / 17400 / 26100	8.7 / 17.4 / 26.1	8.7 / 17.4 / 26.1	165 / 175 / 185
DCBLHMC165S	1 / 2 / 3	9000 / 18000 / 27000	9.0 / 18.0 / 27.0	9.0 / 18.0 / 27.0	170 / 180 / 190
DCBLHMC170S	1 / 2 / 3	9300 / 18600 / 27900	9.3 / 18.6 / 27.9	9.3 / 18.6 / 27.9	175 / 185 / 195
DCBLHMC175S	1 / 2 / 3	9600 / 19200 / 28800	9.6 / 19.2 / 28.8	9.6 / 19.2 / 28.8	180 / 190 / 200
DCBLHMC180S	1 / 2 / 3	9900 / 19800 / 29700	9.9 / 19.8 / 29.7	9.9 / 19.8 / 29.7	185 / 195 / 205
DCBLHMC185S	1 / 2 / 3	10200 / 20400 / 30600	10.2 / 20.4 / 30.6	10.2 / 20.4 / 30.6	190 / 200 / 210
DCBLHMC190S	1 / 2 / 3	10500 / 21000 / 31500	10.5 / 21.0 / 31.5	10.5 / 21.0 / 31.5	195 / 205 / 215
DCBLHMC195S	1 / 2 / 3	10800 / 21600 / 32400	10.8 / 21.6 / 32.4	10.8 / 21.6 / 32.4	200 / 210 / 220
DCBLHMC200S	1 / 2 / 3	11100 / 22200 / 33300	11.1 / 22.2 / 33.3	11.1 / 22.2 / 33.3	205 / 215 / 225
DCBLHMC205S	1 / 2 / 3	11400 / 22800 / 34200	11.4 / 22.8 / 34.2	11.4 / 22.8 / 34.2	210 / 220 / 230
DCBLHMC210S	1 / 2 / 3	11700 / 23400 / 35100	11.7 / 23.4 / 35.1	11.7 / 23.4 / 35.1	215 / 225 / 235
DCBLHMC215S	1 / 2 / 3	12000 / 24000 / 36000	12.0 / 24.0 / 36.0	12.0 / 24.0 / 36.0	220 / 230 / 240
DCBLHMC220S	1 / 2 / 3	12300 / 24600 / 36900	12.3 / 24.6 / 36.9	12.3 / 24.6 / 36.9	225 / 235 / 245
DCBLHMC225S	1 / 2 / 3	12600 / 25200 / 37800	12.6 / 25.2 / 37.8	12.6 / 25.2 / 37.8	230 / 240 / 250
DCBLHMC230S	1 / 2 / 3	12900 / 25800 / 38700	12.9 / 25.8 / 38.7	12.9 / 25.8 / 38.7	235 / 245 / 255
DCBLHMC235S	1 / 2 / 3	13200 / 26400 / 39600	13.2 / 26.4 / 39.6	13.2 / 26.4 / 39.6	240 / 250 / 260
DCBLHMC240S	1 / 2 / 3	13500 / 27000 / 40500	13.5 / 27.0 / 40.5	13.5 / 27.0 / 40.5	245 / 255 / 265
DCBLHMC245S	1 / 2 / 3	13800 / 27600 / 41400	13.8 / 27.6 / 41.4	13.8 / 27.6 / 41.4	250 / 260 / 270
DCBLHMC250S	1 / 2 / 3	14100 / 28200 / 42300	14.1 / 28.2 / 42.3	14.1 / 28.2 / 42.3	255 / 265 / 275
DCBLHMC255S	1 / 2 / 3	14400 / 28800 / 43200	14.4 / 28.8 / 43.2	14.4 / 28.8 / 43.2	260 / 270 / 280
DCBLHMC260S	1 / 2 / 3	14700 / 29400 / 44100	14.7 / 29.4 / 44.1	14.7 / 29.4 / 44.1	265 / 275 / 285
DCBLHMC265S	1 / 2 / 3	15000 / 30000 / 45000	15.0 / 30.0 / 45.0	15.0 / 30.0 / 45.0	270 / 280 / 290
DCBLHMC270S	1 / 2 / 3	15300 / 30600 / 45900	15.3 / 30.6 / 45.9	15.3 / 30.6 / 45.9	275 / 285 / 295
DCBLHMC275S	1 / 2 / 3	15600 / 31200 / 46800	15.6 / 31.2 / 46.8	15.6 / 31.2 / 46.8	280 / 290 / 300
DCBLHMC280S	1 / 2 / 3	15900 / 31800 / 47700	15.9 / 31.8 / 47.7	15.9 / 31.8 / 47.7	285 / 295 / 305
DCBLHMC285S	1 / 2 / 3	16200 / 32400 / 48600	16.2 / 32.4 / 48.6	16.2 / 32.4 / 48.6	290 / 300 / 310
DCBLHMC290S	1 / 2 / 3	16500 / 33000 / 49500	16.5 / 33.0 / 49.5	16.5 / 33.0 / 49.5	295 / 305 / 315
DCBLHMC295S	1 / 2 / 3	16800 / 33600 / 50400	16.8 / 33.6 / 50.4	16.8 / 33.6 / 50.4	300 / 310 / 320
DCBLHMC300S	1 / 2 / 3	17100 / 34200 / 51300	17.1 / 34.2 / 51.3	17.1 / 34.2 / 51.3	305 / 315 / 325
DCBLHMC305S	1 / 2 / 3	17400 / 34800 / 52200	17.4 / 34.8 / 52.2	17.4 / 34.8 / 52.2	310 / 320 / 330
DCBLHMC310S	1 / 2 / 3	17700 / 35400 / 53100	17.7 / 35.4 / 53.1	17.7 / 35.4 / 53.1	315 / 325 / 335
DCBLHMC315S	1 / 2 / 3	18000 / 36000 / 54000	18.0 / 36.0 / 54.0	18.0 / 36.0 / 54.0	320 / 330 / 340
DCBLHMC320S	1 / 2 / 3	18300 / 36600 / 54900	18.3 / 36.6 / 54.9	18.3 / 36.6 / 54.9	325 / 335 / 345
DCBLHMC325S	1 / 2 / 3	18600 / 37200 / 55800	18.6 / 37.2 / 55.8	18.6 / 37.2 / 55.8	330 / 340 / 350
DCBLHMC330S	1 / 2 / 3	18900 / 37800 / 56700	18.9 / 37.8 / 56.7	18.9 / 37.8 / 56.7	335 / 345 / 355
DCBLHMC335S	1 / 2 / 3	19200 / 38400 / 57600	19.2 / 38.4 / 57.6	19.2 / 38.4 / 57.6	340 / 350 / 360
DCBLHMC340S	1 / 2 / 3	19500 / 39000 / 58500	19.5 / 39.0 / 58.5	19.5 / 39.0 / 58.5	345 / 355 / 365
DCBLHMC345S	1 / 2 / 3	19800 / 39600 / 59400	19.8 / 39.6 / 59.4	19.8 / 39.6 / 59.4	350 / 360 / 370
DCBLHMC350S	1 / 2 / 3	20100 / 40200 / 60300	20.1 / 40.2 / 60.3	20.1 / 40.2 / 60.3	355 / 365 / 375
DCBLHMC355S	1 / 2 / 3	20400 / 40800 / 61200	20.4 / 40.8 / 61.2	20.4 / 40.8 / 61.2	360 / 370 / 380
DCBLHMC360S	1 / 2 / 3	20700 / 41400 / 62100	20.7 / 41.4 / 62.1	20.7 / 41.4 / 62.1	365 / 375 / 385
DCBLHMC365S	1 / 2 / 3	21000 / 42000 / 63000	21.0 / 42.0 / 63.0	21.0 / 42.0 / 63.0	370 / 380 / 390
DCBLHMC370S	1 / 2 / 3	21300 / 42600 / 63900	21.3 / 42.6 / 63.9	21.3 / 42.6 / 63.9	375 / 385 / 395
DCBLHMC375S	1 / 2 / 3	21600 / 43200 / 64800	21.6 / 43.2 / 64.8	21.6 / 43.2 / 64.8	380 / 390 / 400
DCBLHMC380S	1 / 2 / 3	21900 / 43800 / 65700	21.9 / 43.8 / 65.7	21.9 / 43.8 / 65.7	385 / 395 / 405
DCBLHMC385S	1 / 2 / 3	22200 / 44400 / 66600	22.2 / 44.4 / 66.6	22.2 / 44.4 / 66.6	390 / 400 / 410
DCBLHMC390S	1 / 2 / 3	22500 / 45000 / 67500	22.5 / 45.0 / 67.5	22.5 / 45.0 / 67.5	395 / 405 / 415
DCBLHMC395S	1 / 2 / 3	22800 / 45600 / 68400	22.8 / 45.6 / 68.4	22.8 / 45.6 / 68.4	400 / 410 / 420
DCBLHMC400S	1 / 2 / 3	23100 / 46200 / 69300	23.1 / 46.2 / 69.3	23.1 / 46.2 / 69.3	405 / 415 / 425
DCBLHMC405S	1 / 2 / 3	23400 / 46800 / 70200	23.4 / 46.8 / 70.2	23.4 / 46.8 / 70.2	410 / 420 / 430
DCBLHMC410S	1 / 2 / 3	23700 / 47400 / 71100	23.7 / 47.4 / 71.1	23.7 / 47.4 / 71.1	415 / 425 / 435
DCBLHMC415S	1 / 2 / 3	24000 / 48000 / 72000	24.0 / 48.0 / 72.0	24.0 / 48.0 / 72.0	420 / 430 / 440
DCBLHMC420S	1 / 2 / 3	24300 / 48600 / 72900	24.3 / 48.6 / 72.9	24.3 / 48.6 / 72.9	425 / 435 / 445
DCBLHMC425S	1 / 2 / 3	24600 / 49200 / 73800	24.6 / 49.2 / 73.8	24.6 / 49.2 / 73.8	430 / 440 / 450
DCBLHMC430S	1 / 2 / 3	24900 / 49800 / 74700	24.9 / 49.8 / 74.7	24.9 / 49.8 / 74.7	435 / 445 / 455
DCBLHMC435S	1 / 2 / 3	25200 / 50400 / 75600	25.2 / 50.4 / 75.6	25.2 / 50.4 / 75.6	440 / 450 / 460
DCBLHMC440S	1 / 2 / 3	25500 / 51000 / 76500	25.5 / 51.0 / 76.5	25.5 / 51.0 / 76.5	445 / 455 / 465
DCBLHMC445S	1 / 2 / 3	25800 / 51600 / 77400	25.8 / 51.6 / 77.4	25.8 / 51.6 / 77.4	450 / 460 / 470
DCBLHMC450S	1 / 2 / 3	26100 / 52200 / 78300	26.1 / 52.2 / 78.3	26.1 / 52.2 / 78.3	455 / 465 / 475
DCBLHMC455S	1 / 2 / 3	26400 / 52800 / 79200	26.4 / 52.8 / 79.2	26.4 / 52.8 / 79.2	460 / 470 / 480
DCBLHMC460S	1 / 2 / 3	26700 / 53400 / 80100	26.7 / 53.4 / 80.1	26.7 / 53.4 / 80.1	465 / 475 / 485
DCBLHMC465S	1 / 2 / 3	27000 / 54000 / 81000	27.0 / 54.0 / 81.0	27.0 / 54.0 / 81.0	470 / 480 / 490
DCBLHMC470S	1 / 2 / 3	27300 / 54600 / 81900	27.3 / 54.6 / 81.9	27.3 / 54.6 / 81.9	475 / 485 / 495
DCBLHMC475S	1 / 2 / 3	27600 / 55200 / 82800	27.6 / 55.2 / 82.8	27.6 / 55.2 / 82.8	480 / 490 / 500
DCBLHMC480S	1 / 2 / 3	27900 / 55800 / 83700	27.9 / 55.8 / 83.7	27.9 / 55.8 / 83.7	485 / 495 / 505
DCBLHMC485S	1 / 2 / 3	28200 / 56400 / 84600	28.2 / 56.4 / 84.6	28.2 / 56.4 / 84.6	490 / 500 / 510
DCBLHMC490S	1 / 2 / 3	28500 / 57000 / 85500	28.5 / 57.0 / 85.5	28.5 / 57.0 / 85.5	495 / 505 / 515
DCBLHMC495S	1 / 2 / 3	28800 / 57600 / 86400	28.8 / 57.6 / 86.4	28.8 / 57.6 / 86.4	500 / 510 / 520
DCBLHMC500S	1 / 2 / 3	29100 / 58200 / 87300	29.1 / 58.2 / 87.3	29.1 / 58.2 / 87.3	505 / 515 / 525
DCBLHMC505S	1 / 2 / 3	29400 / 58800 / 88200	29.4 / 58.8 / 88.2	29.4 / 58.8 / 88.2	510 / 520 / 530
DCBLHMC510S	1 / 2 / 3	29700 / 59400 / 89100	29.7 / 59.4 / 89.1	29.7 / 59.4 / 89.1	515 / 525 / 535
DCBLHMC515S	1 / 2 / 3	30000 / 60000 / 90000	30.0 / 60.0 / 90.0	30.0 / 60.0 / 90.0	520 / 530 / 540
DCBLHMC520S	1 / 2 / 3	30300 / 60600 / 90900	30.3 / 60.6 / 90.9	30.3 / 60.6 / 90.9	525 / 535 / 545
DCBLHMC525S	1 / 2 / 3	30600 / 61200 / 91800	30.6 / 61.2 / 91.8	30.6 / 61.2 / 91.8	530 / 540 / 550
DCBLHMC530S	1 / 2 / 3	30900 / 61800 / 92700	30.9 / 61.8 / 92.7	30.9 / 61.8 / 92.7	535 / 545 / 555
DCBLHMC535S	1 /				

Easy and flexible

During the development of the HyFlex-Geko every single technical component has been optimised to maximise performance. We have also worked extremely hard on making every interaction with the product as easy and intuitive as possible – from selection to installation and maintenance. We believe it will make a significant difference all through the products life-cycle.

SAFETY

A hygienic solution to avoid bacteria growth in air conducting devices. Easy access for simple cleaning.



“PLUG AND PLAY”

Following the “plug-and-play” principle accessories for quick and easy installation are already pre-mounted at delivery.



POWER

Efficient and quiet EC-fan with XT „eXtended Technology“; maintenance-free silent ball bearings & special silent electromotor. Applicable up to 70 Pa external pressure drop.

EFFICIENT

Flexible piping connections for efficient space usage in your building.

HIGH PERFORMANCE

Pressure Independent valve control providing high performance and energy savings due to an automatic balanced system.

LEFT/RIGHT 360° FLEXIBILITY

Possibility to turn the unit for changing the water connection side without having to order left/right units resulting in less needed installation time.



EASY MOUNTING

Available drilling guide for easy and fast mounting.

ADAPTION

Flexible choice between preinstalled plenum with nozzles for easy installation or with pre-punched design for easy transport.



CONNECTIVITY

State-of-the-art ISYteq control with an excellent connectivity for easy commissioning, maintenance and operation.

EASY ACCESS

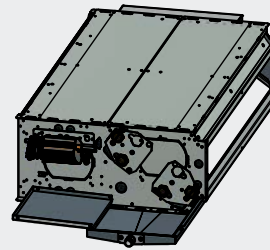
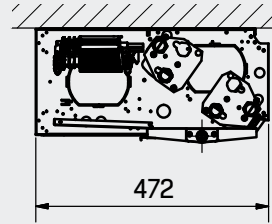
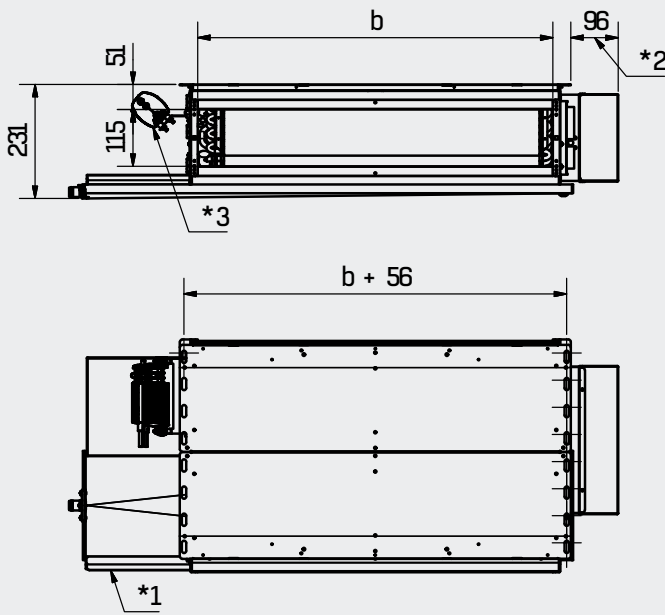
No need of big revision openings due to the folded filter with an easy filter change from the side.

CUSTOMISATION

Suitable for every application due to wide range and high variety of accessories.

Dimensions

Ceiling installation



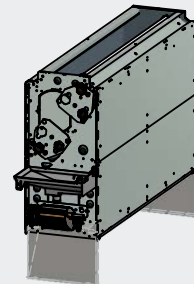
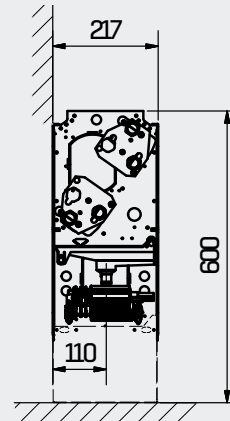
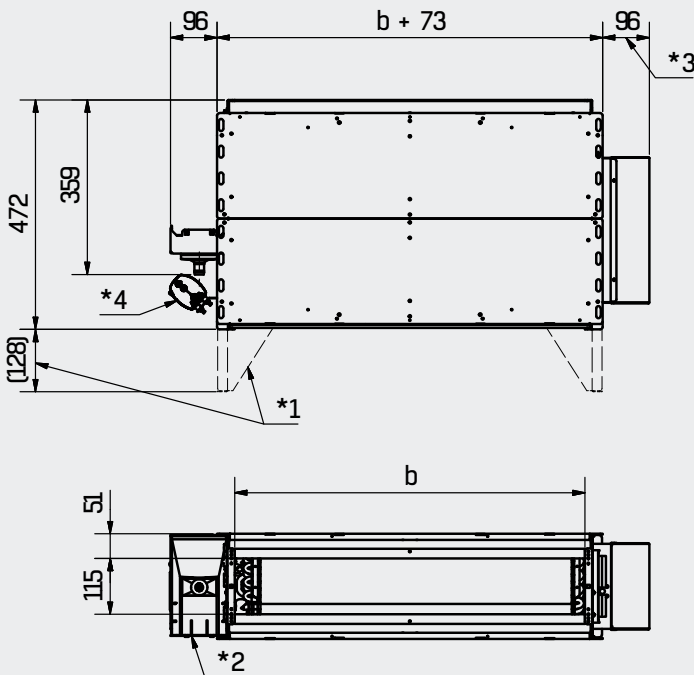
- *1 condensate tray (standard for units with cooling function)
- *2 big control box; smaller control box is 68 mm vs 96 mm
- *3 condensate pump is optional

Drawing for coil connection on the left side, to be reversed for coil connection on the right side.

Unit size	1	2	3	4	6	8
b (mm)	420	570	720	870	1.170	1.470

Dimensions

Wall installation

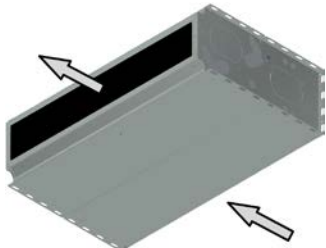
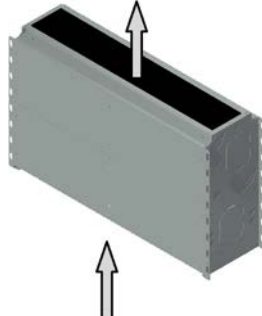
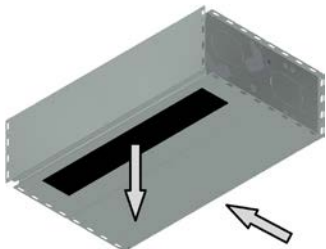
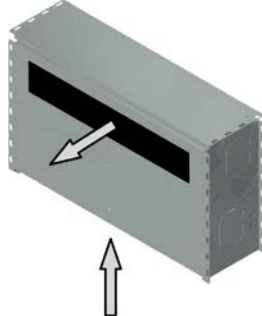
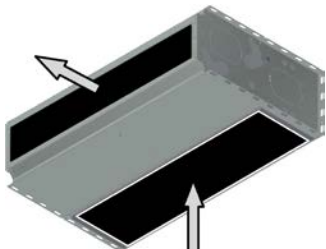
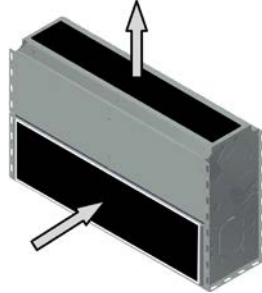
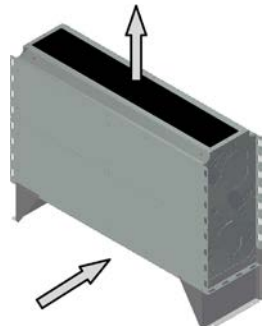
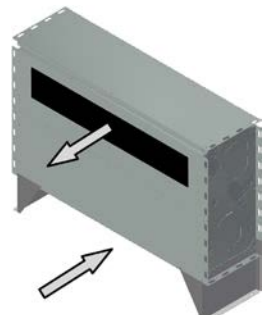


- *1 pedestal for floor-mounted application (optional); distance to floor min. 128 mm recommended for wall installation
- *2 condensate tray (standard for units with cooling function)
- *3 big control box; smaller control box is 68 mm vs 96 mm
- *4 condensate pump is optional

Drawing for coil connection on the left side, to be reversed for coil connection on the right side.

Unit size	1	2	3	4	6	8
b (mm)	420	570	720	870	1.170	1.470

Air directions overview

AIR DIRECTION	HORIZONTAL	VERTICAL
I		
P		
L		
AIR DIRECTION	I	P
Vertical units with feet		



With the new **HyFlex-Geko**[®] we are taking flexibility and adaptability to a whole new level. With a complete range of plug & play accessories, if you can imagine it you can build it!

Outlet side

ORDERING CODE	DESCRIPTION
ZGS.#A042.00	Discharge Plenum for round spigots DN200, prepared perforation
ZGS.#A042.19	Discharge Plenum with round plastic spigots, DN200
ZGS.#A212.00	Sound attenuator
ZGS.#A022.18	Discharge plenum with primary air plastic spigots, DN125
ZGS.#A112.00	Flexible connection
ZGS.#A152.00	Telescopic Adapter
ZGS.1A062.00	Discharge bend 90°
ZGS.#A082.00	Rectangular discharge chamber for round spigots with prepared perforation DN200/DN125
ZGS.#A082.1A	Rectangular discharge chamber with plastic round spigots DN200/DN125
ZGS.#A0P2.00	Discharge panel for round spigots DN200 perforated
ZGS.#A0P2.19	Discharge panel with round plastic spigots DN200
ZGS.#A0R2.00	Discharge panel with rectangular opening
ZGS.#A312.00	Adaptor for outlet grille
ZGS.#AG12.00	Outlet grill

Inlet side

ORDERING CODE	DESCRIPTION
ZGS.#A031.00	Intake Plenum for round spigots DN200, prepared perforation
ZGS.#A031.19	Intake Plenum with round plastic spigots DN200
ZGS.#A211.00	Sound attenuator
ZGS.#A131.00	Adaptor for flexible connector
ZGS.#A111.00	Flexible connection
ZGS.#A151.00	Telescopic Adapter
ZGS.1A051.00	Intake bend 90°
ZGS.#A071.00	Rectangular intake chamber for round spigots with prepared perforation DN200/DN125
ZGS.#A071.1A	Rectangular intake chamber with round spigots DN200/DN125
ZGS.#A0P1.00	Intake panel for round spigots DN200 perforated
ZGS.#A0P1.19	Intake panel with round plastic spigots DN200
ZGS.#A0R1.00	Intake panel with rectangular opening

> 2-pipe system - chilled water / warm water

Size	Speed	AC MOTOR						EC MOTOR						Width**	Depth	Height	Weight
		Air flow rate	Cooling capacity***	Heating capacity***	Sound pressure level*	Power consumption	Current consumption	Air flow rate	Cooling capacity***	Heating capacity***	Sound pressure level*	Power consumption	Current consumption				
		m³/h	kW	kW	dB(A)	W	A	m³/h	kW	kW	dB(A)	W	A				
1	min	150	1,1	1,1	20	14	0,14	140	1,0	1,0	19	3	0,05				
	med	260	1,7	1,7	36	49	0,24	240	1,6	1,6	32	6	0,07	814	472	231	17
	max	500	2,7	2,9	50	58	0,27	495	2,7	2,8	49	35	0,31				
2	min	165	1,3	1,3	25	14	0,15	170	1,3	1,3	23	3	0,05				
	med	265	1,9	1,9	35	52	0,24	255	1,8	1,8	32	6	0,06	964	472	231	20
	max	530	3,2	3,3	50	65	0,30	575	3,4	3,6	53	40	0,33				
3	min	245	1,9	1,9	20	10	0,14	240	1,8	1,8	21	4	0,05				
	med	435	3,0	3,0	35	49	0,23	430	2,9	3,0	34	10	0,10	1114	472	231	24
	max	800	4,8	4,9	50	79	0,36	790	4,7	4,9	49	48	0,39				
4	min	270	2,1	2,1	19	10	0,14	280	2,2	2,2	18	4	0,05				
	med	470	3,3	3,4	34	50	0,24	450	3,2	3,3	30	8	0,08	1264	472	231	27
	max	905	5,6	5,8	49	83	0,37	900	5,6	5,8	49	51	0,41				
6	min	415	3,2	3,2	25	25	0,28	425	3,3	3,3	26	6	0,06				
	med	750	5,2	5,3	40	104	0,47	710	5,0	5,1	37	14	0,12	1564	472	231	34
	max	1270	7,9	8,2	53	135	0,61	1490	9,0	9,2	54	94	0,75				
8	min	490	3,9	3,8	24	20	0,28	490	3,9	3,8	21	7	0,09				
	med	905	6,4	6,5	37	100	0,48	885	6,3	6,4	36	19	0,19	1864	472	231	41
	max	1675	10,4	10,7	52	164	0,73	1670	10,4	10,7	52	100	0,81				

> 4-pipe system - chilled water / warm water

Size	Speed	AC MOTOR						EC MOTOR						Width**	Depth	Height	Weight
		Air flow rate	Cooling capacity***	Heating capacity***	Sound pressure level*	Power consumption	Current consumption	Air flow rate	Cooling capacity***	Heating capacity***	Sound pressure level*	Power consumption	Current consumption				
		m³/h	kW	kW	dB(A)	W	A	m³/h	kW	kW	dB(A)	W	A				
1	min	150	1,0	1,0	20	14	0,14	140	0,9	1,0	19	3	0,05				
	med	260	1,5	1,4	36	49	0,24	240	1,4	1,4	32	6	0,07	814	472	231	17
	max	500	2,4	2,1	50	58	0,27	495	2,4	2,1	49	35	0,31				
2	min	165	1,2	1,3	25	14	0,15	170	1,2	1,3	23	3	0,05				
	med	265	1,7	1,7	35	52	0,24	255	1,6	1,7	32	6	0,06	964	472	231	20
	max	530	2,9	2,6	50	65	0,30	575	3,0	2,7	53	40	0,33				
3	min	245	1,7	1,9	20	10	0,14	240	1,7	1,8	21	4	0,05				
	med	435	2,7	2,6	35	49	0,23	430	2,7	2,6	34	10	0,10	1114	472	231	24
	max	800	4,3	3,7	50	79	0,36	790	4,2	3,7	49	48	0,39				
4	min	270	1,9	2,2	19	10	0,14	280	2,0	2,2	18	4	0,05				
	med	470	3,0	3,0	34	50	0,24	450	2,9	3,0	30	8	0,08	1264	472	231	27
	max	905	5,0	4,4	49	83	0,37	900	5,0	4,4	49	51	0,41				
6	min	415	2,9	3,2	25	25	0,28	425	3,0	3,3	26	6	0,06				
	med	750	4,7	4,6	40	104	0,47	710	4,5	4,5	37	14	0,12	1564	472	231	34
	max	1270	7,0	6,2	53	135	0,61	1490	7,9	6,8	54	94	0,75				
8	min	490	3,5	3,9	24	20	0,28	490	3,5	3,9	21	7	0,09				
	med	905	5,8	5,7	37	100	0,48	885	5,7	5,6	36	19	0,19	1864	472	231	41
	max	1675	9,2	8,0	52	164	0,73	1670	9,2	8,0	52	100	0,81				

* Sound pressure level – distance 5m, 100 m³ room, reverbration time 0,5 sec, radiation factor: room corner

** Width of a horizontal unit in standard execution

*** Cooling performances are based on 27°C/47% room temperature and 7/12°C water temperature; heating performances are based on 20°C room temperature and 45/40°C water temperature for 2-pipe systems and 65/55°C water temperature for 4-pipe systems

> 2-pipe system - chilled water / warm water

EC MOTOR HIGH PRESSURE													
Size	Speed	Air flow rate	Cooling capacity***	Heating capacity***	Available static pressure	Sound pressure level*	Power consumption	Current consumption	Width**	Depth	Height	Weight	
		m ³ /h	kW	kW	Pa	dB(A)	W	A					mm
1	min	80	0,6	0,6	4	10	3	0,05					
	med	280	1,8	1,8	50	39	24	0,27	814	472	231	19	
	max	420	2,4	2,5	112	49	72	0,72					
2	min	90	0,8	0,7	4	11	3	0,06					
	med	300	2,1	2,1	50	38	23	0,28	964	472	231	23	
	max	470	2,9	3,0	123	49	72	0,78					
3	min	180	1,4	1,4	9	20	6	0,06					
	med	400	2,8	2,8	50	40	26	0,33	1114	472	231	28	
	max	620	3,9	4,0	120	51	88	0,98					
4	min	215	1,8	1,7	9	21	6	0,08					
	med	500	3,5	3,6	50	40	31	0,37	1264	472	231	32	
	max	775	5,0	5,1	120	51	106	1,18					
6	min	180	1,6	1,5	5	12	4	0,05					
	med	570	4,2	4,2	50	40	36	0,45	1564	472	231	41	
	max	840	5,7	5,9	109	50	110	1,06					
8	min	240	2,2	2,0	5	16	5	0,02					
	med	700	5,2	5,2	50	41	46	0,53	1864	472	231	50	
	max	980	6,8	7,0	98	50	120	0,95					

> 4-pipe system - chilled water / warm water

EC MOTOR HIGH PRESSURE													
Size	Speed	Air flow rate	Cooling capacity***	Heating capacity***	Available static pressure	Sound pressure level*	Power consumption	Current consumption	Width**	Depth	Height	Weight	
		m ³ /h	kW	kW	Pa	dB(A)	W	A					mm
1	min	80	0,6	0,7	4	10	3	0,05					
	med	280	1,6	1,5	50	39	24	0,27	814	472	231	19	
	max	420	2,1	1,9	112	49	72	0,72					
2	min	90	0,7	0,9	4	11	3	0,06					
	med	300	1,9	1,9	50	38	23	0,28	964	472	231	23	
	max	470	2,6	2,4	123	49	72	0,78					
3	min	180	1,3	1,5	9	20	6	0,06					
	med	400	2,5	2,5	50	40	26	0,33	1114	472	231	28	
	max	620	3,5	3,2	120	51	88	0,98					
4	min	215	1,6	1,9	9	21	6	0,08					
	med	500	3,2	3,2	50	40	31	0,37	1264	472	231	32	
	max	775	4,4	4,1	120	51	106	1,18					
6	min	180	1,5	1,8	5	12	4	0,05					
	med	570	3,8	3,9	50	40	36	0,45	1564	472	231	41	
	max	840	5,2	4,9	109	50	110	1,06					
8	min	240	2,0	2,4	5	16	5	0,02					
	med	700	4,7	4,9	50	41	46	0,53	1864	472	231	50	
	max	980	6,2	5,9	98	50	120	0,95					

Technical data including factory mounted discharge plenum.

* Sound pressure level with assumed external sound attenuation of 16 dB based on room and installation

** Width of a horizontal unit in standard execution

*** Cooling performances are based on 27°C/47% room temperature and 7/12°C water temperature; heating performances are based on 20°C room temperature and 45/40°C water temperature for 2-pipe systems and 65/55°C water temperature for 4-pipe systems

EXCELLENCE IN SOLUTIONS

WWW.FLAKTGROUP.COM

HyFlex-Geko 10320

FläktGroup is the European market leader for smart and energy efficient Indoor Air and Critical Air solutions to support every application area. We offer our customers innovative technologies, high quality and outstanding performance supported by more than a century of accumulated industry experience. The widest product range in the market, and strong market presence in 65 countries worldwide, guarantee that we are always by your side, ready to deliver Excellence in Solutions.

PRODUCT FUNCTIONS BY FLÄKTGROUP

Air Treatment | Air Movement | Air Diffusion
Air Distribution | Air Filtration | Air Management & ATD's
Air Conditioning & Heating | Controls | Service

» Learn more on www.flaktgroup.com
or contact one of our offices

